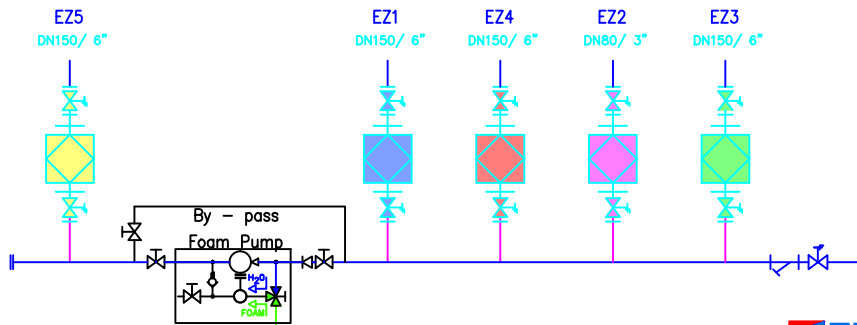
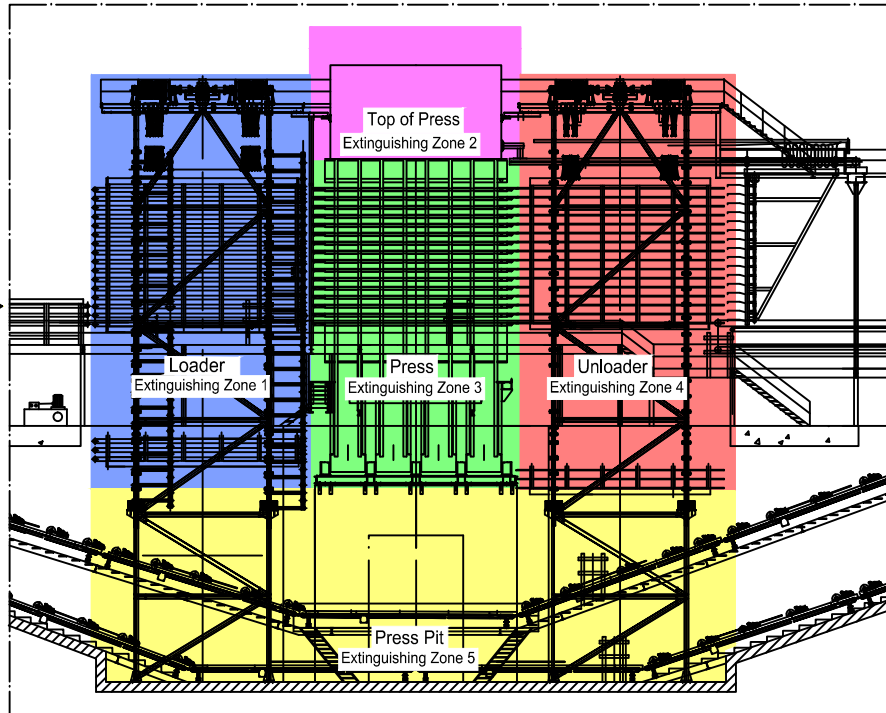


# Minifog

## PRESS PROTECT



**FLAMEX<sup>®</sup> INC.**

4365 Federal Drive  
Greensboro, NC 27407  
PH (336) 299-2933 FAX (336) 299-2944